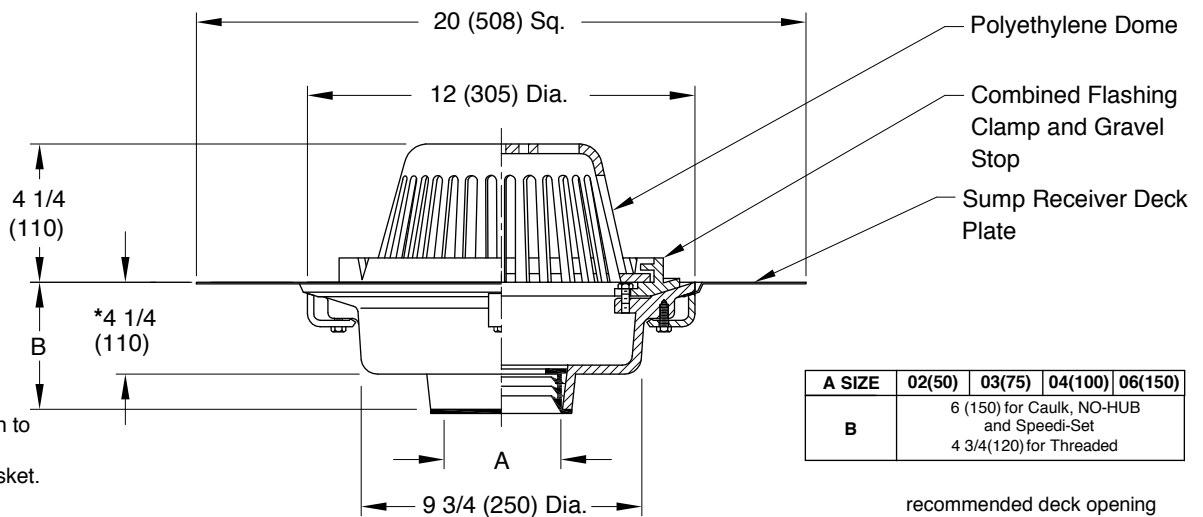
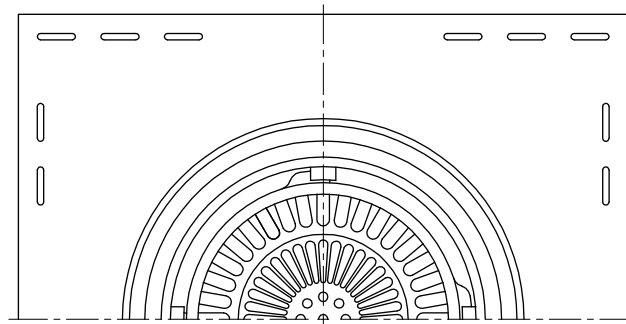


GENERAL PURPOSE ROOF DRAIN

12" (305) DIAMETER - LOW PROFILE DOME - WITH DECK PLATE

FUNCTION: Used in flat roof of any construction where a small sized drain is required. Low profile dome protects the drain sump and connected piping from the intrusion of debris.

Free Area
 71.5 SQ IN
 (461) SQ CM



| A SIZE | 02(50) | 03(75) | 04(100) | 06(150) |
|--------|---|--------|---------|---------|
| B | 6 (150) for Caulk, NO-HUB and Speedi-Set 4 3/4(120) for Threaded | | | |

| recommended deck opening | |
|--------------------------|-------------|
| with suffix -RDP | 13(230) DIA |
| less suffix -RDP | 11(280) DIA |

Fig. 1310C (-RDP). CAULK OUTLET
 Fig. 1310Y (-RDP). NO-HUB OUTLET

REGULARLY FURNISHED:

Duco Cast Iron body with Attached Deck Plate, Combined Flashing Clamp and Gravel Stop and Polyethylene Dome.

VARIATIONS:

- L **Speedi-Set Service Weight Outlet (Fig. 1310 only)
- LXH **Speedi-Set Extra Heavy Duty Outlet (Fig. 1310 only)
- T Threaded Outlet Conn. Side Outlet (Specify Fig. **1320-RDP)
- Expansion Joint (Specify Fig. 1710 (Fig. 1310 only)
- Extension (Specify Height) -E
- Secondary Flashing Clamp -C2
- Vandal Proof Dome -U
- External Waterdam Collar -WD (Specify Height 2", 3", 4")

OPTIONAL MATERIALS:

- Aluminum Dome -AD
- Cast Iron Dome -CID
- Galvanized Cast Iron Dome -CIDG
- Galvanized Cast Iron Body & Collar -G
- Rough Bronze Dome -RBD

**Available in 02(50), 03(75), and 04(100) Sizes Only

NOTE: Dimensions shown in parentheses are in millimeters.

DRAWING NUMBER: S1310-RDP
 SIZE: A
 SCALE: NONE
 DATE: 11-03-2007
 APPROVED BY: CR
 CHECKED BY: CR
 DRAWN BY: CR
1310-RDP

WE CAN ASSUME NO RESPONSIBILITY FOR USE OF SUPERSEDED OR VOID DATA
 DIMENSIONS ARE SUBJECT TO MANUFACTURERS TOLERANCE AND CHANGE WITHOUT NOTICE

| | | | | | | | |
|------|----------|----------------------|-----|---------|---------------|-------------------|---|
| C | 7-30-19 | Removed NOTE | MW | CL | WEIGHT POUNDS | VOLUME CUBIC FEET | FIGURE NUMBER 1310-RDP |
| B | 11-13-15 | Added Flow Rate Note | TBW | BW | | | |
| A | 3-16-11 | Revised Variations | TBW | BW | | | |
| REV. | DATE | DESCRIPTION | BY | CKD. BY | | | |