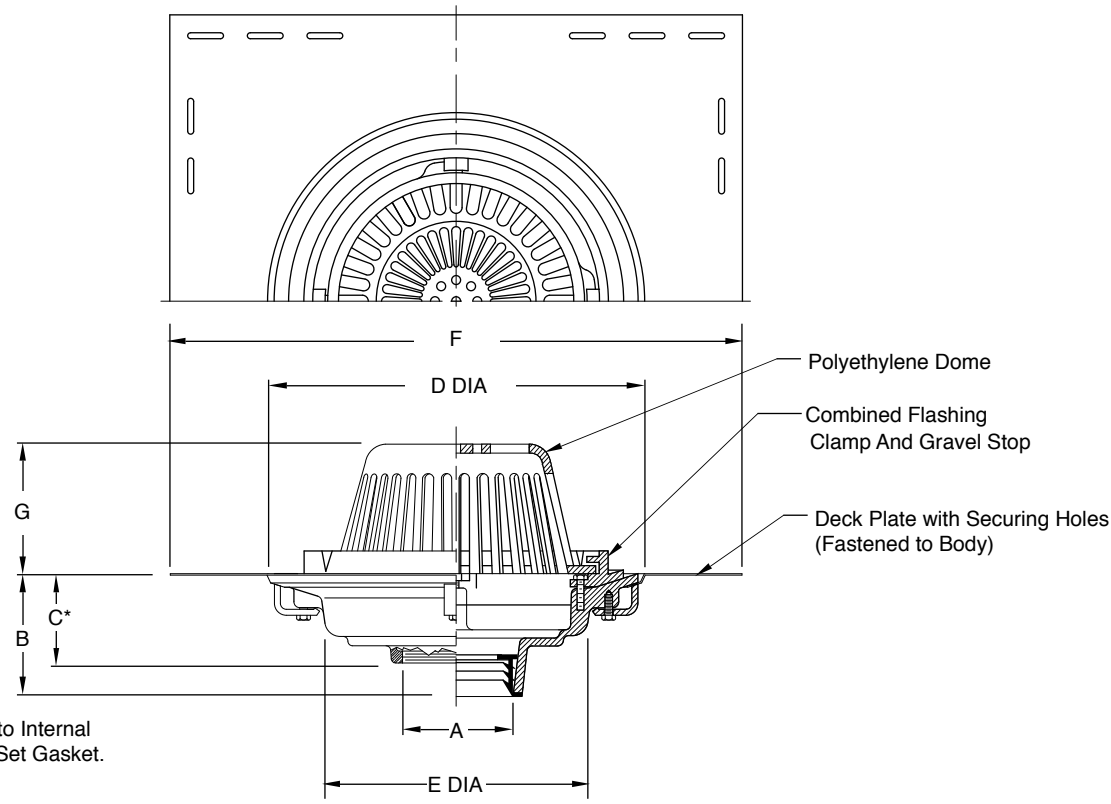


E
 DRAWING NUMBER **S1010-RDP**
 SIZE **A**
 SCALE: **NONE**
 DATE: **02-10-2006**
 APPROVED BY: **CR**
 CHECKED BY: **CR**
 DRAWN BY: **CR**
1010-RDP
 DIMENSIONS ARE SUBJECT TO MANUFACTURERS TOLERANCE AND CHANGE WITHOUT NOTICE

SPECIAL PURPOSE ROOF DRAIN

LOW PROFILE DOME WITH DECK PLATE

FUNCTION: Used in flat roof of any construction. Large low profile dome provides sufficient free area for quick drainage of rain water and protects the drain sump and connected piping from the intrusion of debris. Attached wide deck plate has securing holes enabling drain to be secured to the roof deck from the top surface of the roof.



*This Dimension to Internal Shop of Speedi-Set Gasket.

Fig. 1010Y-RDP..... NO-HUB OUTLET
 Fig. 1010C-RDP..... CAULK OUTLET

| A SIZE | B CAULK, NO-HUB, & SPEEDI-SET | THREADED | C* | D DIA | E DIA | F DIA | G DIA | FREE AREA SQ IN |
|---------------------------|-------------------------------|------------|-----------|-------------|---------|---------|------------|-----------------|
| 02(50), 03(75) or 04(100) | 5(125) | 3 3/4(95) | 3 3/4(95) | 15 1/4(390) | 11(280) | 24(610) | 5 1/4(133) | 102.5(661) |
| 05(125) or 06(150) | 5(125) | 3 3/4(95) | 3 3/4(95) | 15 1/4(390) | 11(280) | 24(610) | 5 1/4(133) | 102.5(661) |
| 08(203) or 10(250) | 7 3/4(195) | 7 3/4(195) | -- | 20(510) | 16(405) | 28(711) | 7 1/4(185) | 228(1471) |

REGULARLY FURNISHED:
 Duco Cast Iron Body with attached Deck Plate with Securing Holes, combined Flashing Clamp and Gravel Stop with Polyethylene Dome.

- VARIATIONS:**
- L Speedi-Set Service Weight Outlet Conn. (02, 03, and 04) Sizes Only
 - LXH Speedi-Set Extra Heavy Duty Outlet Conn. (02, 03, and 04) Sizes Only
 - T Threaded Outlet Conn.
 - Extension (Specify Height) -E
 - Secondary Flashing Clamp -C2
 - Vandal Proof Dome -U

- OPTIONAL MATERIALS:**
- ▲ Aluminum Dome -AD
 - ▲ Cast Iron Dome -CID
 - ▲ Galvanized Cast Iron Dome -CIDG
 - ▲ Galvanized Cast Iron Body & Collar -G
 - ▲ Rough Bronze Dome -RBD
 - Stainless Steel (Specify Fig. 9780)

▲ Optional domes' free area are as follows:

| Dome Mat'l | 02-06 Outlets | 08 & 10 Outlets |
|------------|---------------|-----------------|
| Aluminum | 98 (632) | 150 (968) |
| Cast Iron | 80 (516) | Reg. Furnished |
| Bronze | 95 (613) | 150 (968) |

NOTE: Dimensions shown in parentheses are in millimeters.

| REV. | DATE | DESCRIPTION | BY | CKD. BY | WEIGHT POUNDS | VOLUME CUBIC FEET | FIGURE NUMBER |
|------|----------|----------------------------------|-----|---------|---------------|-------------------|-----------------|
| E | 9-6-19 | Rev. Opt. Mat., Added Dimensions | MW | CL | | | 1010-RDP |
| D | 7-30-19 | Removed NOTE | MW | CL | | | |
| C | 8-3-15 | Added Flow Rate Note | TBW | BW | | | |
| B | 06/03/09 | Added Optional Dome Notes | JJ | CL | | | |
| | | | | | | | |