



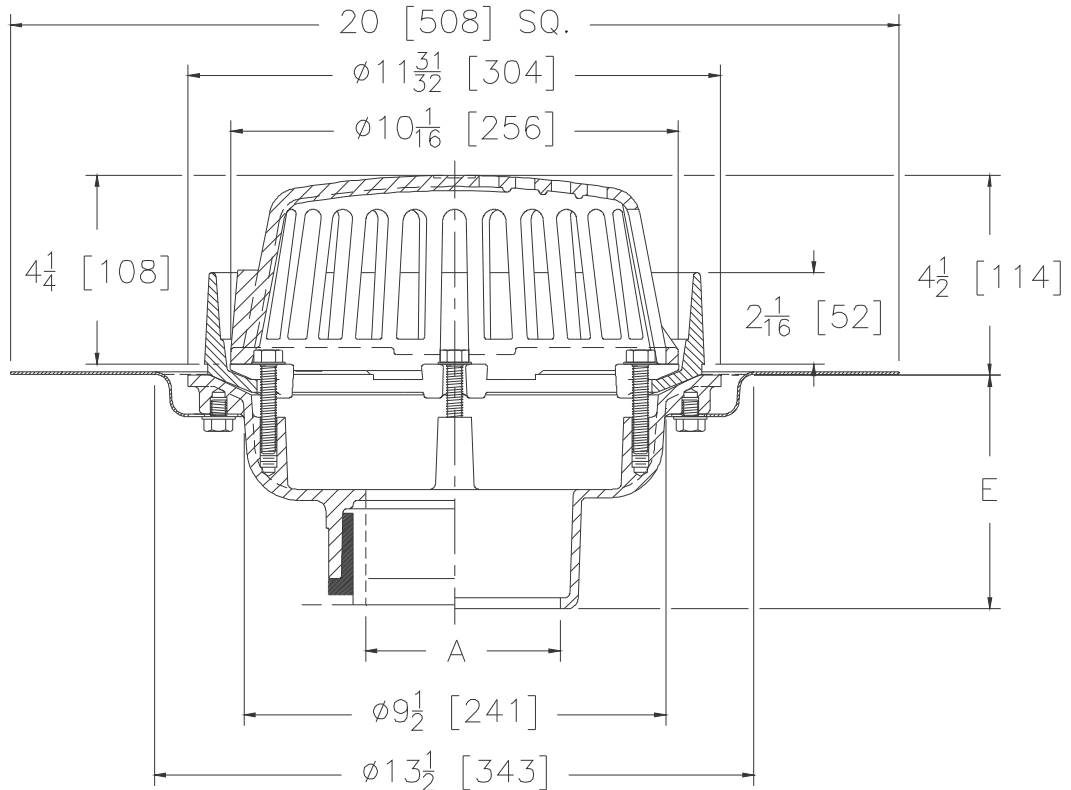
Z121-DP-89

SPECIFICATION SHEET

12 [305] DIAMETE ROOF DRAIN LOW SILHOUETTE DOME
W/ EXTERNAL WATER DAM & TOP-SET® DECK PLATE

TAG _____

Dimensional Data (inches and [mm]) are Subject to Manufacturing Tolerances and Change Without Notice



A- Pipe Size In.	Approx. Wt. Lbs. [kg]	Dome Open Area Sq. In. [cm ²]
2-3-4-6 [51-76-102-152]	32 [15]	78 [503]

ENGINEERING SPECIFICATION: ZURN Z121-DP-89 12 [305] Diameter roof drain. Dura-Coated cast iron body with 2 [50] high combination flashing clamp/gravel guard, top-set® deck plate, and low silhouette Poly-Dome.

OPTIONS (Check/specify appropriate options)

PIPE SIZE

- 2,3,4,6 [51,76,102,152]
- 2,3,4,6 [51,76,102,152]
- 2,3,4,6 [51,76,102,152]
- 2,3,4 [51,76,102]

(Specify size/type) **OUTLET**

- _____ IC Inside Caulk
- _____ IP Threaded
- _____ NH No-Hub
- _____ NL Neo-Loc

E BODY HT. DIM.

- 5-1/4 [133]
- 3-3/4 [95]
- 5-1/4 [133]
- 4-5/8 [117]

PREFIXES

- _____ Z D.C.C.I. Body with Poly-Dome (4-1/4 [108] Dome height)*
- _____ ZA D.C.C.I. Body with Aluminum Dome (6-9/16 [167] Dome height)
- _____ ZC D.C.C.I. Body with Cast Iron Dome (4-1/4 [108] Dome height)
- _____ ZRB D.C.C.I. Body with Plain Bronze Dome (3-7/8 [98] Dome height)

SUFFIXES

- _____ -AR Acid Resistant Epoxy Coated Finish
- _____ -BS Bronze Mesh Screen Over Dome
- _____ -E Static Extension 1 [25] thru 4 [102] (Specify Ht.)
- _____ -G Galvanized Cast Iron
- _____ -SC Secondary Clamping Collar
- _____ -SS Stainless Mesh Screen Over Dome
- _____ -TC Neo-Loc Test Cap Gasket (2-4 [51-102] NL Bottom Outlet Only)
- _____ -VP Vandal Proof Secured Top
- _____ -XJ Vertical Expansion Joint (See Z190)
- _____ -84 Stainless Steel Perforated Gravel Guard
- _____ -85 Stainless Steel Perforated Extension
- _____ -90 90° Threaded Side Outlet Body

*REGULARLY FURNISHED UNLESS OTHERWISE SPECIFIED

REV. B	DATE: 11/29/12	C.N. NO. 128518
DWG. NO. 67131	PRODUCT NO. Z121-DP-89	