



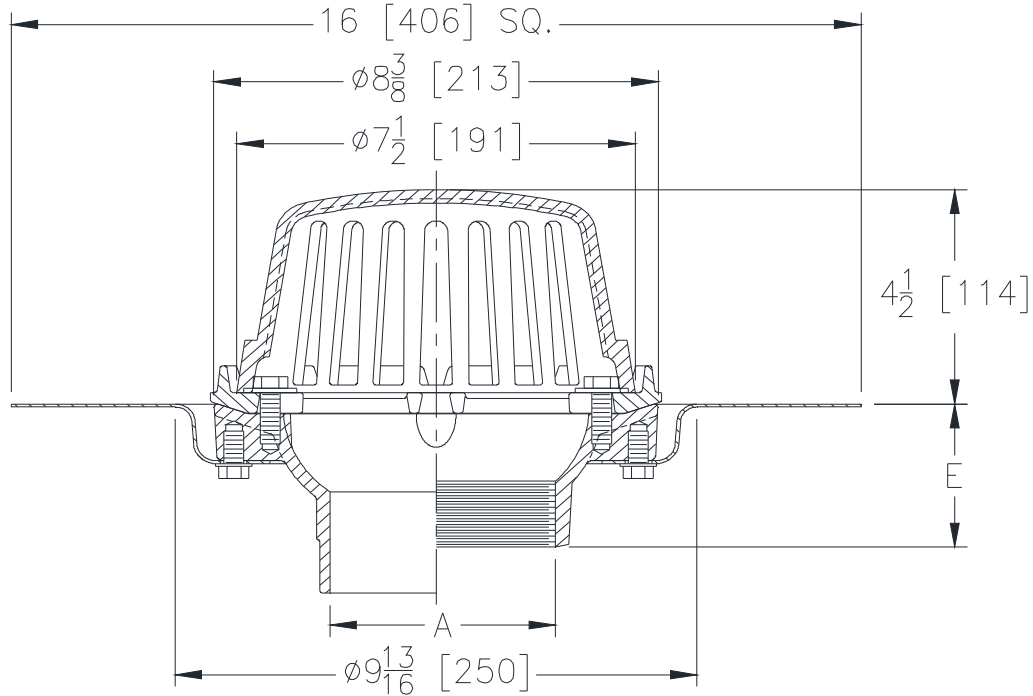
Z125-DP

8-3/8 [213] DIAMETER ROOF DRAIN
W/ TOP-SET® DECK PLATE

SPECIFICATION SHEET

TAG _____

Dimensional Data (inches and [mm]) are Subject to Manufacturing Tolerances and Change Without Notice



A- Pipe Size In. [mm]	Approx. Wt. Lbs. [kg]	Dome Open Area Sq. In. [cm ²]
2,3,4 [51,76,102]	22 [10]	43 [277]

ENGINEERING SPECIFICATION: ZURN Z125-DP
8-3/8" [213mm] Diameter roof drain, Dura-Coated cast iron body with combination membrane flashing clamp/gravel guard, Top-Set® deck plate and low silhouette Poly-Dome.

OPTIONS (Check/specify appropriate options)

PIPE SIZE	(Specify size/type) OUTLET	'E' BODY HT. DIM.
2,3,4 [51,76,102]	___ IC Inside Caulk	3-7/8 [98]
2 [51]	___ IP Threaded	2-7/16 [62]
3 [76]	___ IP Threaded	2-3/4 [70]
4 [102]	___ IP Threaded	3 [76]
2,3,4 [51,76,102]	___ NH No-Hub	4 [102]
2,3,4 [51,76,102]	___ NL Neo-Loc	3-13/16 [97]

PREFIXES

- ___ Z D.C.C.I. Body with Poly-Dome (4-1/4 [108] Dome Height)*
- ___ ZA D.C.C.I. Body with Aluminum Dome (4-1/4 [108] Dome Height)
- ___ ZC D.C.C.I. Body with Low Silhouette Cast Iron Dome (4-1/4 [108] Dome Height)

SUFFIXES

- ___ -AR Acid Resistant Epoxy Coated Finish
- ___ -E 2 [51] High Static Extension (Specify Height)
- ___ -FG Flush Grate
- ___ -G Galvanized Cast Iron
- ___ -SC Secondary Clamping Collar
- ___ -SS Stainless Mesh Screen Over Dome
- ___ -TC Neo-Loc Test Cap Gasket
(2,3,4 [51,76,102] NL Bottom Outlet Only)
- ___ -VP Vandal-Proof Secured Top
- ___ -XJ Vertical Expansion Joint (See Z190)
- ___ -84 Stainless Steel Perforated Gravel Guard
- ___ -85 Stainless Steel Perforated Extension
- ___ -89 2 [51] High External Water Dam

* Regularly furnished unless otherwise specified.