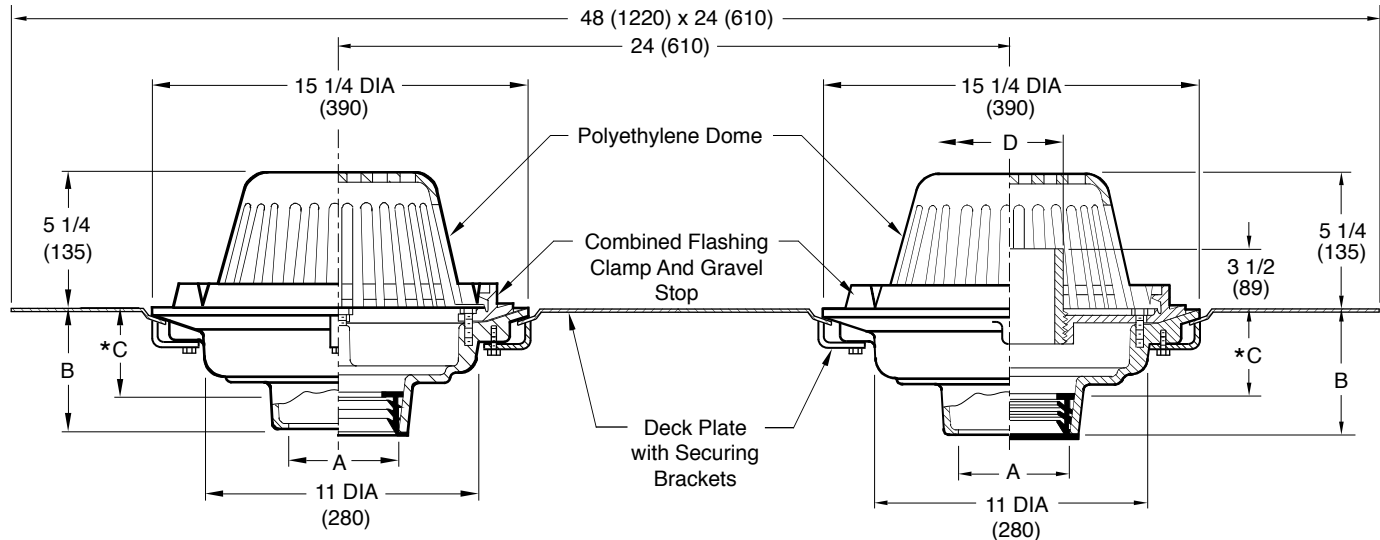


# ROOF DRAIN AND OVERFLOW DRAIN

**FUNCTION:** Used on flat roofs of any construction (other than poured in place) where an emergency overflow drain can be used in combination with a standard roof drain. Large sump drain bodies with low profile domes provide sufficient free area for quick drainage of rainwater while protecting the drain sump and connected piping from the intrusion of debris. Internal standpipe type overflow drain receives water only when the build-up is greater than the setting of the standpipe. Water dam standpipe can be cut to achieve various water depths on the roof. Attached wide dual drain deck plate with securing holes enables both drains to be secured to the roof deck from the top surface of the roof reducing installation time, reducing the number of roof penetrations and eliminating the need for an underdeck clamp. The wide dual deck plate also recesses the drains slightly to prevent water build-up at the base of the drains.



\* NOTE: This Dimension to Internal Stop of Speedi-Set Gasket.

1800C.....CAULK OUTLET  
 1800Y.....NO HUB OUTLET

A SIZE	B		*C	D Standpipe (Pipe Size)	FREE AREA SQ IN(SQ CM)
	CAULK, NO-HUB, & SPEEDI-SET	THREADED			
02(50), 03(75), 04(100)	5(125)	3 3/4(95)	3 3/4(95)	4(100)	102.5(661)
05(125), 06(150)	5(125)	3 3/4(95)	3 3/4(95)	6(150)	102.5(661)
08(200)-16 10(250)-16	6 (150)	5 (125)	N/A	External Dam Type	102.5(661) ▲122(787)

▲ NOTE: The dome height is 8 1/4" (210) for the 122.5 SQ IN free area dome and is regularly furnished in Cast Iron and is not available in polyethylene.

**REGULARLY FURNISHED:**  
 Duco Cast Iron Bodies with Combined Flashing Clamp and Gravel Stop for Roof Drain and Combined Flashing Clamp and Gravel Stop with 3 1/2(89) High Internal Water Dam Standpipe for Overflow Drain. Deck Plate with Securing Holes Provided to receive both Drains. Both Drains Provided with Polyethylene Domes.

- VARIATIONS:**
- L Speedi-Set Service Weight 02(50), 03(75), and 04(100)" sizes only
  - LXH Speedi-Set Extra Heavy 02(50), 03(75), and 04(100)" sizes only
  - T Threaded Outlet
  - Expansion Joint (Specify Fig.1710)
  - Extension (Specify Height) -E
  - Secondary Flashing Clamp -C2 (For Extensions)
  - Adjustable Extension - AE
  - External Water Dam Collar -WD Specify Height -WD2(50), -WD3(75) or -WD4(100)
  - Vandal Proof Dome -U

- OPTIONAL MATERIALS:**
- Aluminum Dome -AD
  - Cast Iron Dome -CID
  - Galvanized Cast Iron Dome -CIDG
  - Galvanized Cast Iron Body & Collar -G
  - Rough Bronze Dome -RBD
  - Stainless Steel Mesh Secured to Dome -SSMD
  - Acid Resistant Coated -ARC

NOTE: Dimensions shown in parentheses are in millimeters.

DRAWING NUMBER s1800  
 SCALE: NONE  
 DATE: 08/27/03  
 APPROVED BY: BW  
 CHECKED BY: BW  
 DRAWN BY: JJ  
 FIGURE NUMBER 1800

WE CAN ASSUME NO RESPONSIBILITY FOR USE OF SUPERSEDED OR VOID DATA  
 DIMENSIONS ARE SUBJECT TO MANUFACTURERS TOLERANCE AND CHANGE WITHOUT NOTICE

J	3-2-22	Added note and added to table	KK	CL	WEIGHT POUNDS	VOLUME CUBIC FEET	FIGURE NUMBER <b>1800</b>
H	7-30-19	Removed NOTE	MW	CL			
G	11-16-15	Added Flow Rate Note	TBW	BW			
F	04/02/09	Rev. Drawing & Added Function	JJ	CR			
REV.	DATE	DESCRIPTION	BY	CKD. BY			