

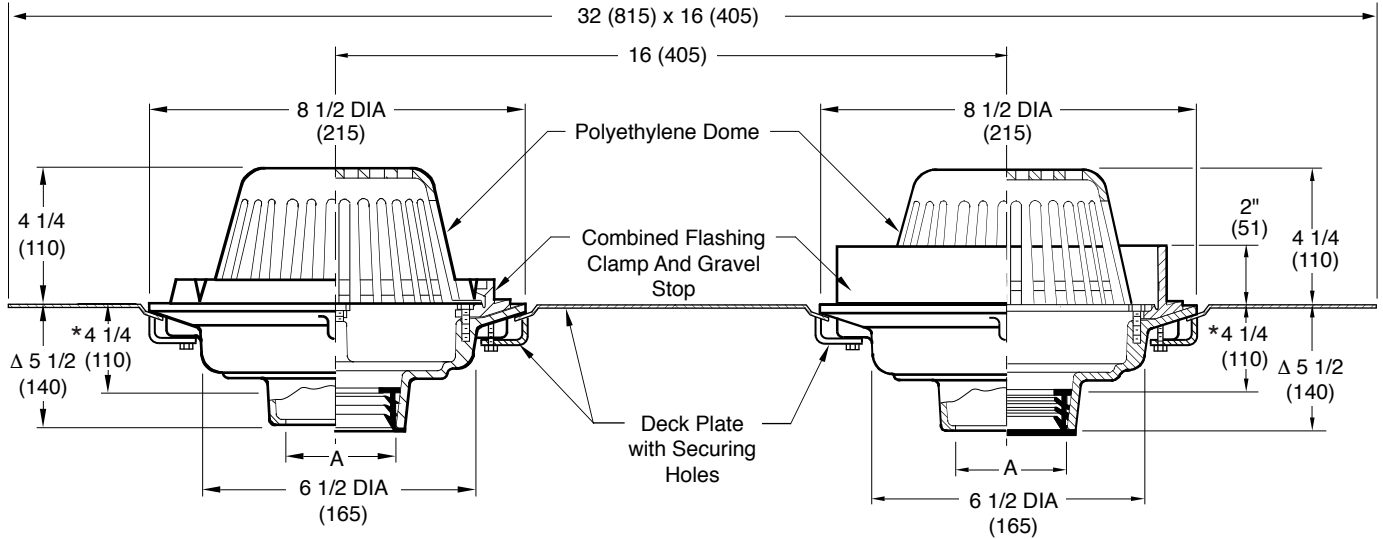
SMITH® JAY R. SMITH MFG. CO.®
 MEMBER OF MORRIS GROUP INTERNATIONAL
 POST OFFICE BOX 3237
 MONTGOMERY, ALABAMA 36109-0237 (USA)
 TEL: 334-277-8520 FAX: 334-272-7396 www.jrsmith.com



LOCATION

ROOF DRAIN AND OVERFLOW DRAIN WITH DECK TOP MOUNTING PLATE

Free Area
 41.5 SQ IN
 (268) SQ CM



A (Pipe Size) = 02 (50), 03 (75) or 04 (100)

- 1830C.....CAULK OUTLET
- 1830Y..... NO-HUB OUTLET

REGULARLY FURNISHED:
 Duco Cast Iron Body, Double Deck Plate with Securing Holes, Combined Flashing Clamp and Gravel Stop for Roof Drain and External Water Dam for Overflow Drain, both with Polyethylene Dome.

- VARIATIONS:**
- Expansion Joint (Specify Fig.1710)
 - Extension (Specify Height) -E
 - L Speedi-Set Service Weight
 - LXH Speedi-Set Extra Heavy
 - Secondary Flashing Clamp -C2
 - Vandal Proof Dome -U
 - T Threaded Outlet

- OPTIONAL MATERIALS:**
- Aluminum Dome -AD
 - Cast Iron Dome -CID
 - Galvanized Cast Iron Dome -CIDG
 - Galvanized Cast Iron Body & Collar -G
 - Rough Bronze Dome -RBD

* **NOTE:** This Dimension to Internal Stop of Speedi-Set Gasket.

Δ Same for Caulk, No-Hub and Speedi-Set, 4 1/4 (110) for Threaded.

NOTE: Dimensions shown in parentheses are in millimeters.

DRAWING NUMBER s1830
 SIZE A
 SCALE: NONE
 DATE: 4-26-11
 APPROVED BY: CL
 CHECKED BY: CL
 DRAWN BY: TBW
 1830
 DIMENSIONS ARE SUBJECT TO MANUFACTURERS TOLERANCE AND CHANGE WITHOUT NOTICE
 WE CAN ASSUME NO RESPONSIBILITY FOR USE OF SUPERSEDED OR VOID DATA

REV.	DATE	DESCRIPTION	BY	CKD. BY	WEIGHT POUNDS	VOLUME CUBIC FEET	FIGURE NUMBER
B	7-30-19	Removed NOTE	MW	CL			1830
A	11-16-15	Added Flow Rate Note	TBW	BW			