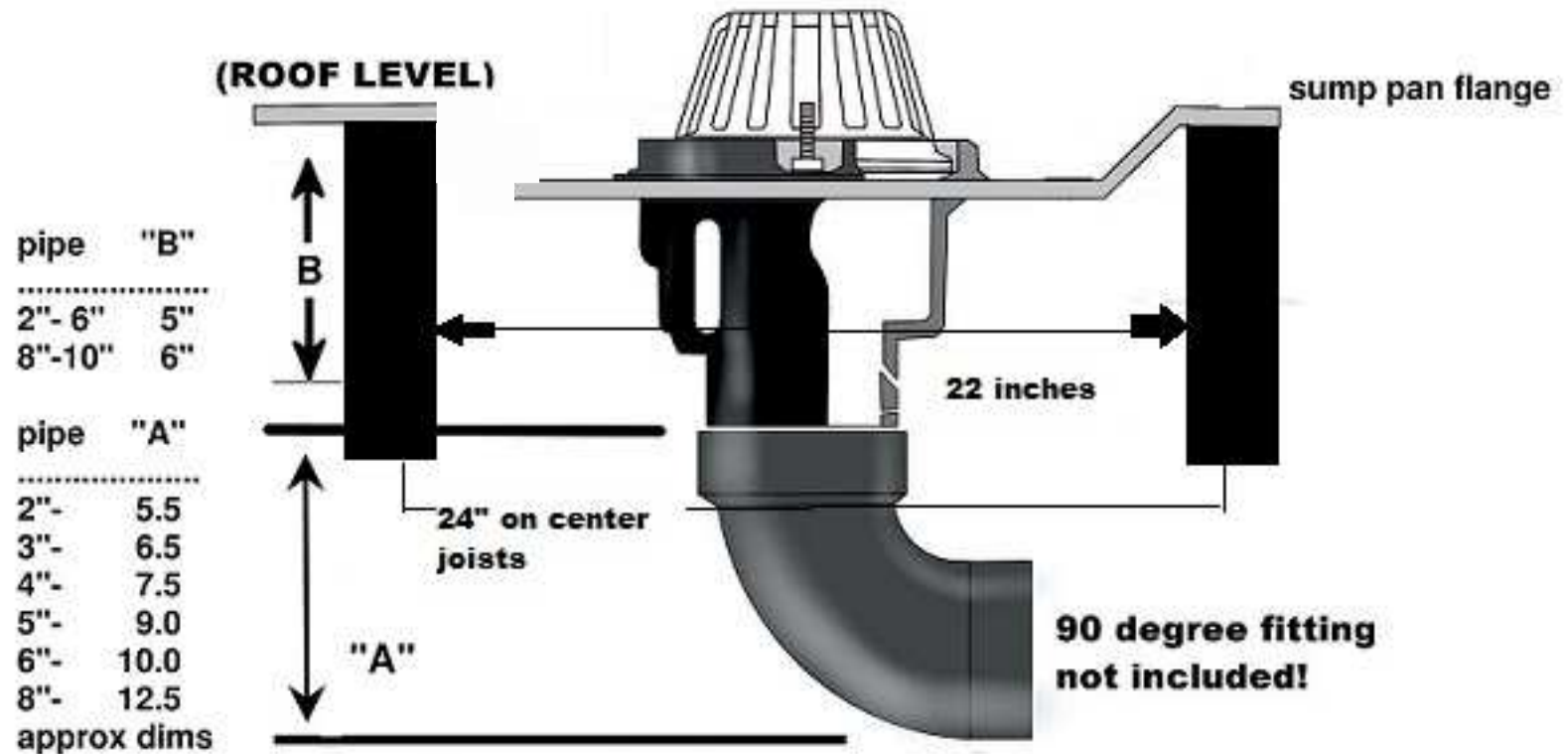


# Space requirements for installing large roof drains.

APPLIES TO LARGE 15" or 16" COMMERCIAL ROOF DRAINS



Custom Roof  
Drain Pans Co.  
Mission Viejo, CA

VISIT OUR WEBSITE FOR MORE INFO

[WWW.CUSTOMROOFDRAINPANS.COM](http://WWW.CUSTOMROOFDRAINPANS.COM)

(949) 297-8689 M-F, 8am to 5 pm, PST