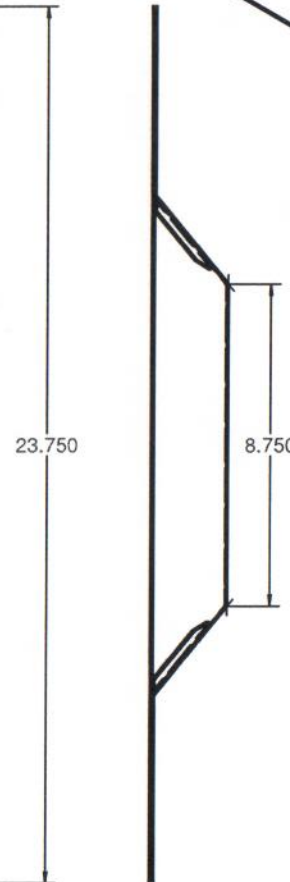
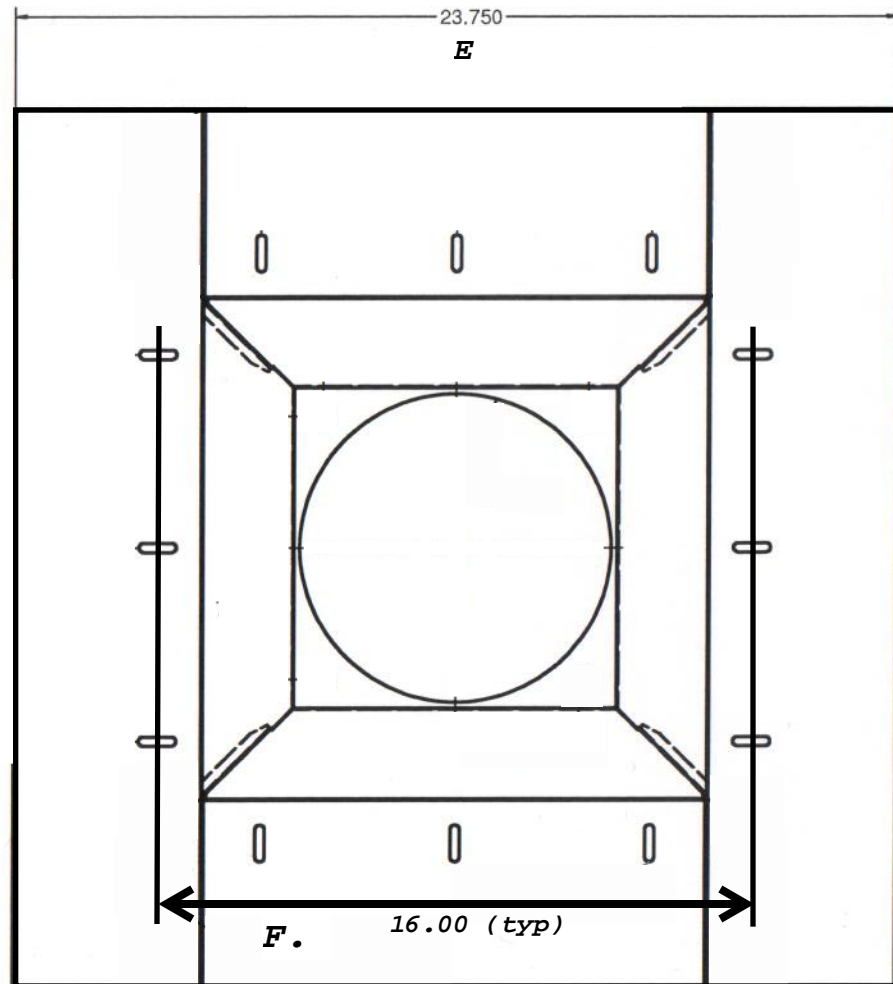
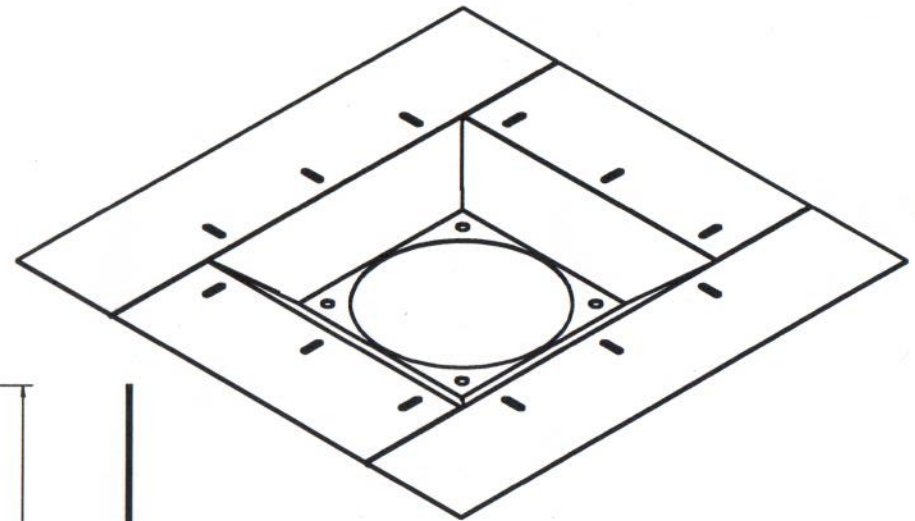
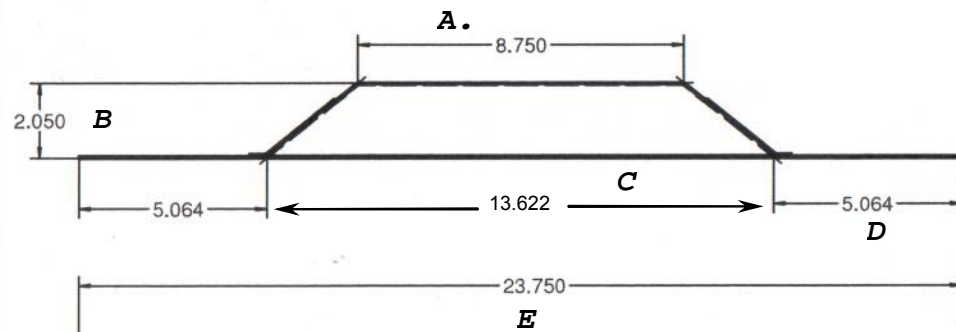


Model SSP Roof Drain Sump Pan



- A= 8.750
- B= 2.050
- C= 13.622
- D= 5.064
- E= 23.750
- F= 16.00

**available in
galvanized and
stainless steel
*all dimensions
are in inches*

PATENT NOTICE The sump pans are protected under a US Patent. Making, using, offering for sale, or selling the invention throughout the United States of America, or importing the invention into the United States of America, or products made by the process used herein without a written licensing agreement is a violation of the patent laws of the United States. The purchase of any product from ALL TECH Plumbing,

Material: 18 GA GALV.	Company: All Tech Plumbing
Part# E6352_1	Description: Single Drain- Pan Small