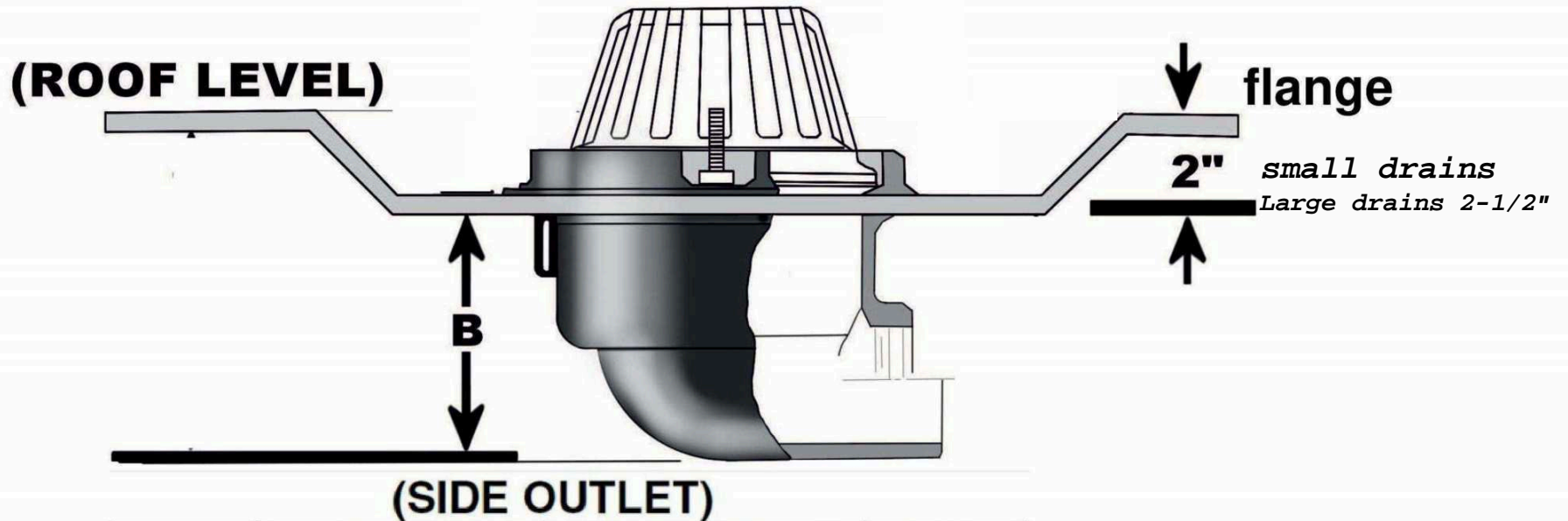


## Vertical space requirements for small and large side outlet roof drains

These are a basic starting dimensions. Due to the variety of roof drains available, these may vary based on outlet size, type (threaded), caulked or no-hub, and the brand. Please check the manufacturer's dimensions for the roof drain you want to use.

NOTE: this sketch shows a custom fabricated sump pan used to lower the roof drain. To get the dimensions of similar pans that do not lower the roof drain, please see the manufacturer's website



SIZE	02 (50)	03 (75)	04 (100)	05 (125)	06 (150)
<b>B</b>	6 7/8 "	6 7/8	6 7/8	6 7/8"	7 7/8"

**Custom Roof Drain Pans Co.**  
**Mission Viejo, Ca. 92691**

**(949) 297-8689. M-F. PST.**

**More Info: [www.customroofdrainpans.com](http://www.customroofdrainpans.com)**

all copyright and patent laws apply