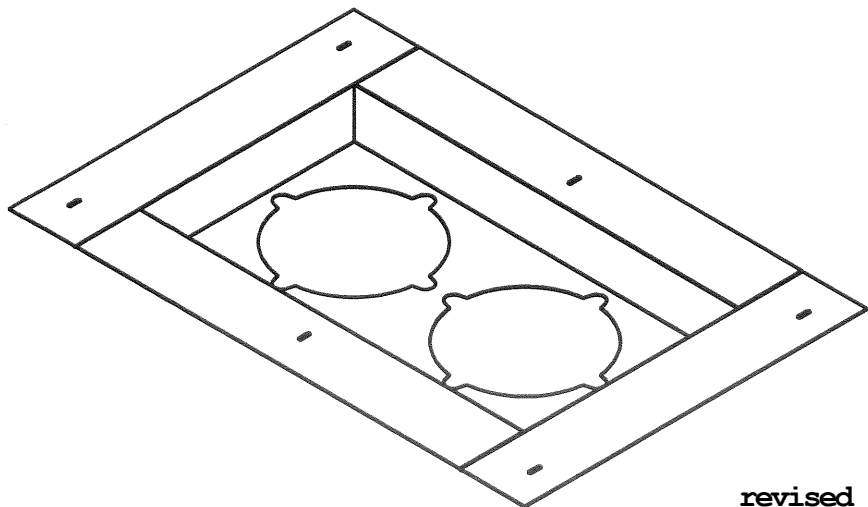
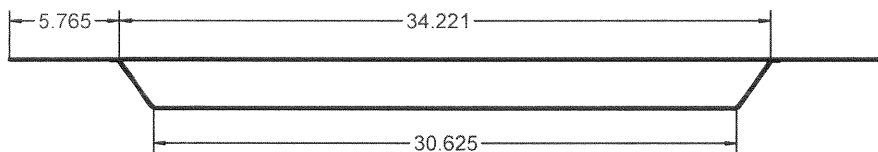


**Model ICP roof drain sump pan**

part number E7032 LPAN

- galvanized steel
- stainless steel\*
- aluminum\*
- 16 gauge\*

\* = special order



- \* regularly supplied using 18 gauge galvanized steel
- \* fits between joists that are 24" on center, no modifications needed
- \* A wood support is recommended between the roof drains
- \* Accepts 15" and 15.25" diameter roof drains
- \* Mounting clamps (drain to pan) are supplied

Manufactured and sold by Custom Roof Drain Pans Co.  
 office (949) 297-8689 8 am to 5 pm, M -F, PST  
 Mission Viejo, CA. 92691  
 purchase at [www.customroofdrainpans.com](http://www.customroofdrainpans.com)

revised 9/2021

SUMP PAN PATENT NOTICE: The sump pans are protected under a US Patent. Making, using, offering for sale, or selling the invention throughout the United States of America, or importing the invention into the UNITED STATES OF AMERICA, or products made by the process herein without a written licensing agreement is a violation of patent laws in the US. The purchase of any products from Roof Drain Pans Co. or any affiliates of same indicate agreement and acknowledgment of this notification.

Material:	18 GA GALV	Company:	All Tech Plumbing
Part#	E7032-LPAN	Description:	ICP Roof Drain Sump Pan