



LOW PROFILE DOME ROOF DRAIN WITH DECK PLATE



Figure #1010-RDP
Low Profile Dome with Deck Plate

Product Features:

- Speed of installation. Roof drains can be pre-assembled to deck plate and placed as one unit from the top roof surface, saving time.
- Secure Installation. Large Roof Deck Plate is easy to install using fasteners from the top of roof only. No under deck damp required means less hardware and time savings.
- Safer Installation. Installation from above means less time on ladders or lifts and less overhead work. The only task after installation is the actual pipe connection, made to a secure assembly.
- Reliability. The drains are installed in a recess to prevent a water dam.
- Simplicity. Roof penetrations are square, not round, saving time.

FUNCTION: Used in flat roofs of any construction. Large low profile dome provides sufficient free area for quick drainage of rainwater and protects the drain sump and connected piping from the intrusion of debris. Attached wide deck plate has securing holes enabling the drain to be secured to the roof deck from the top surface of the roof.

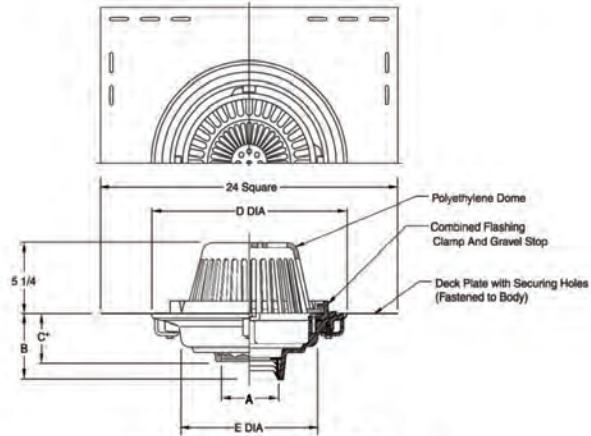


Fig. 1010Y-(RDP) . . . NO-HUB OUTLET
 Fig. 1010C-(RDP) . . . CAULK OUTLET

A SIZE	B CAULK, NO-HUB, & SPEEDI-SET	THREADED	C*	D DIA	E DIA	FREE AREA SQ IN
02, 03 or 04	5	3/34	3/34	15 1/4	11	102.5
05 or 06	5	3/34	3/34	15 1/4	11	102.5
08 or 10	7 3/4	7/34	--	20	16	158

REGULARLY FURNISHED:
 Duo Cast Iron Body with Attached Deck Plate with Securing Holes in Deck Plate, Combined Flashing Clamp and Gravel Stop with Polyethylene Dome.

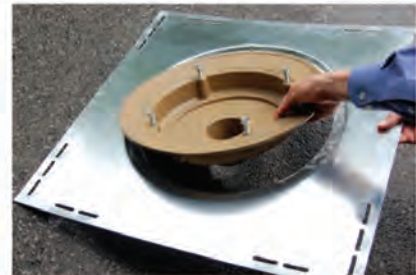
VARIATIONS:
 L Speedi-Set Service Weight Outlet Conn. (02, 03, and 04) Sizes Only
 LXH Speedi-Set Extra Heavy Duty Outlet Conn. (02, 03, and 04) Sizes Only
 T Threaded Outlet Conn.
 Extension (Specify Height) -E
 Secondary Flashing Clamp -C2
 Vandal Proof Dome -U

OPTIONAL MATERIALS:
 Aluminum Dome -AD
 Cast Iron Dome -CID
 Galvanized Cast Iron Dome -CIDG
 Collar -CIDG
 Rough Bronze Dome -RBD
 Stainless Steel (Specify Fig. 9780)

*This Dimension to Internal Shop of Speedi-Set Gasket.



1. Start with our sump receiver deck plate. (-RDP)



2. Place 1010 roof drain into the sump receiver deck plate.



3. Bolt the 4 angled steel support brackets onto the roof drain until the deck plate is locked into place. (See -DPK Trim Kit)



4. Place the deck plate and roof drain combination on the roof and attach the deck plate to the roof structure.

CONTRACTOR FRIENDLY